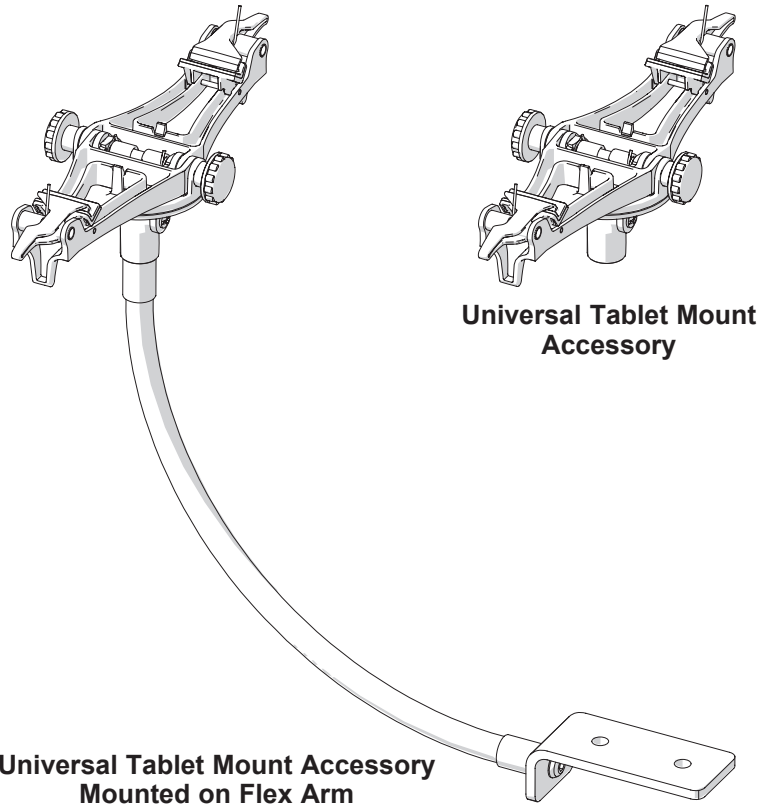


Basic Instructions only!
For more detailed product information, refer to the
Flex TechBridge Assembly Instructions and Owner's Manual 236A153.

CAUTION
Make sure anyone assembling, installing or using this product has read and understands these instructions.

CAUTION
Failure to comply with Warnings and Cautions in this document or on the equipment can result in damage to property or injury.



Contents

Required Tools	2	Operation	5
Parts List	2	Universal Tablet Mount Adjustment	5
Assembly	3	Frame Adapters for Larger Tablets	7



Visit the Flex Conductor's Equipment web page at wengercorp.com for more information.

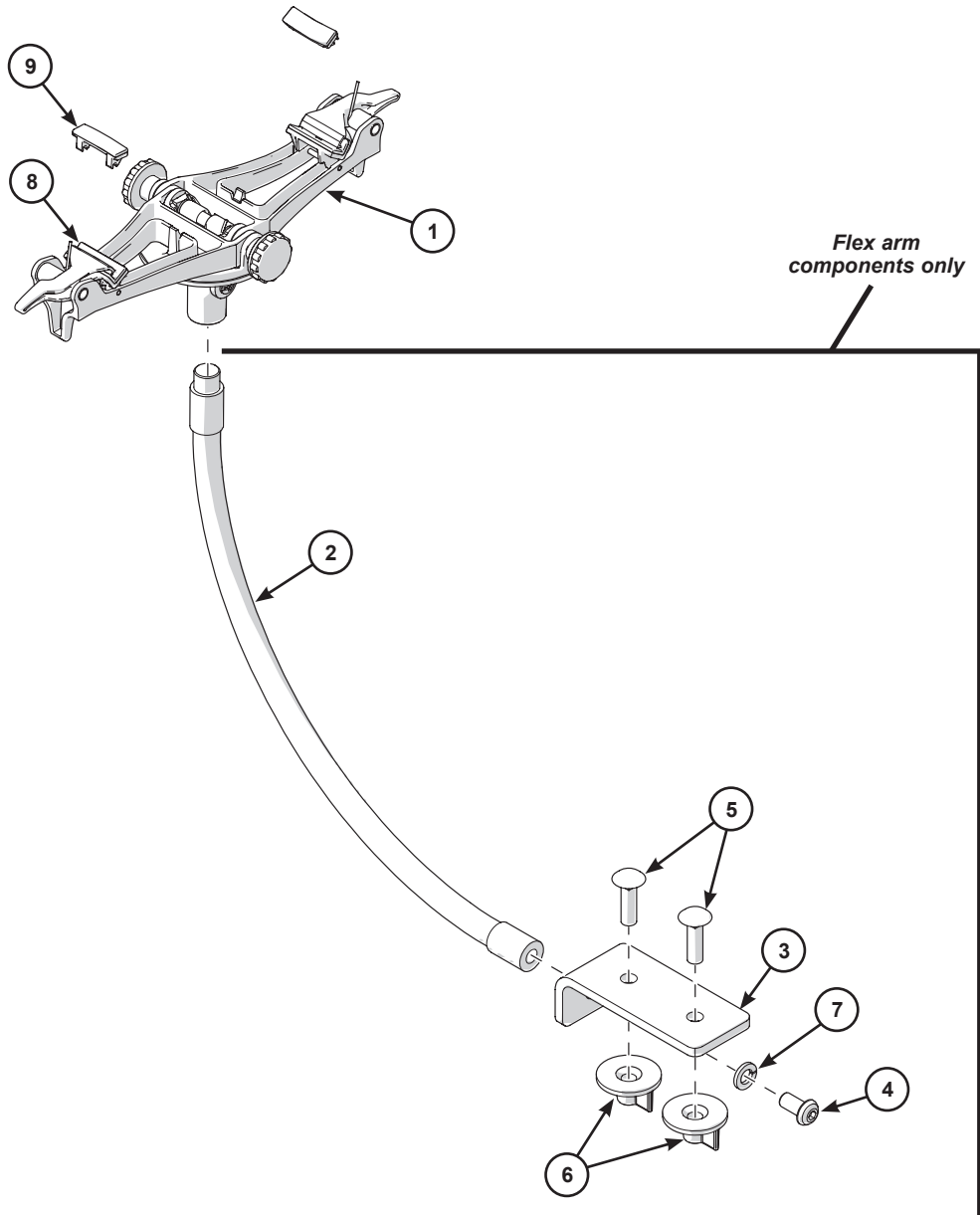
Note: Please read and understand these instructions before proceeding.
Note: If you need additional information, contact Wenger Corporation using the information below.

Required Tools

- 7/32" (6 mm) Hex wrench

Parts List

Item	Qty	Description	Item	Qty	Description
1	1	Universal Tablet Mount	6	2	3/8-16 Divider Wing Nut
2	1	Flex Arm	7	1	3/8" ID Lock Washer
3	1	TechBridge Mounting Bracket	8	2	Small Frame Adapter
4	1	3/8-16 x 3/4" Button Head Socket Screw	9	2	Large Frame Adapter
5	2	3/8-16 x 1-1/4" Carriage Bolt			



Assembly

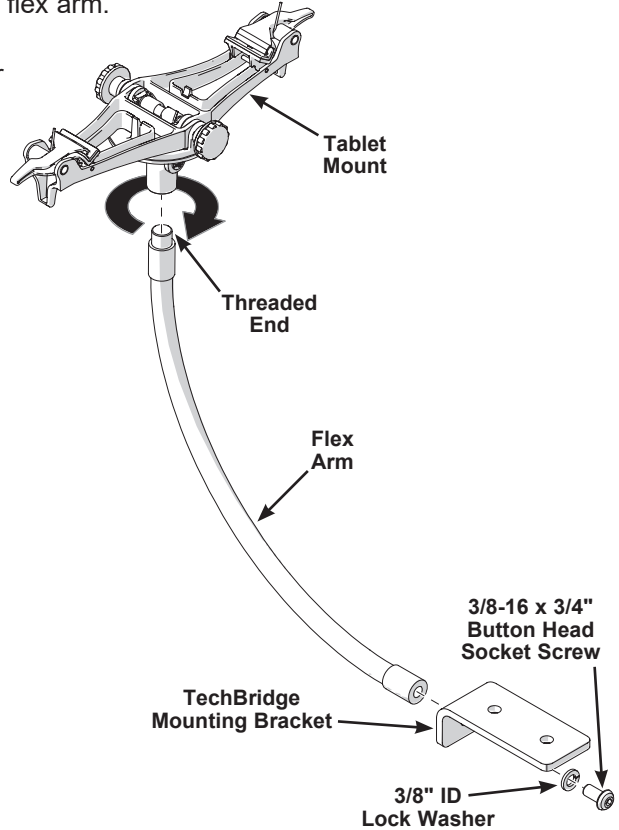
1. Attach the Universal Tablet Mount.

STOP If using the Universal Tablet Mount with a flex arm, follow these instructions.
If using the Universal Tablet Mount with a side mount extension or any standard 5/8"-27 threaded microphone adapter, see below.

- a. Screw the tablet mount onto the threaded end of the flex arm.
- b. Attach the Techbridge mounting bracket to the other end of the flex arm using a 3/8" ID lock washer and 3/8-16 x 3/4" button head socket screw.

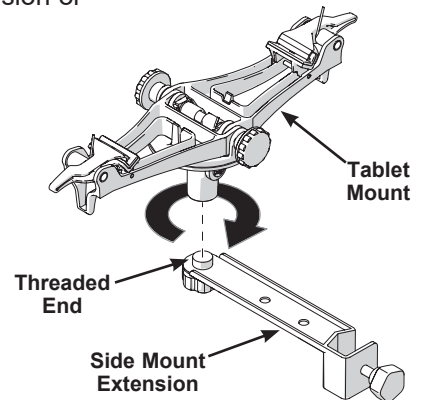
Tighten the screw until the lock washer compresses and the end of the flex arm cannot be rotated against the face of the bracket.

The Screw has a Loctite patch to keep it tight.



STOP If using the Universal Tablet Mount with a side mount extension or any standard 5/8"-27 threaded microphone adapter, follow these instructions.
If using the Universal Tablet Mount with a flex arm, see above.

- a. Screw the tablet mount onto the threaded end of the side mount extension or threaded microphone adapter.



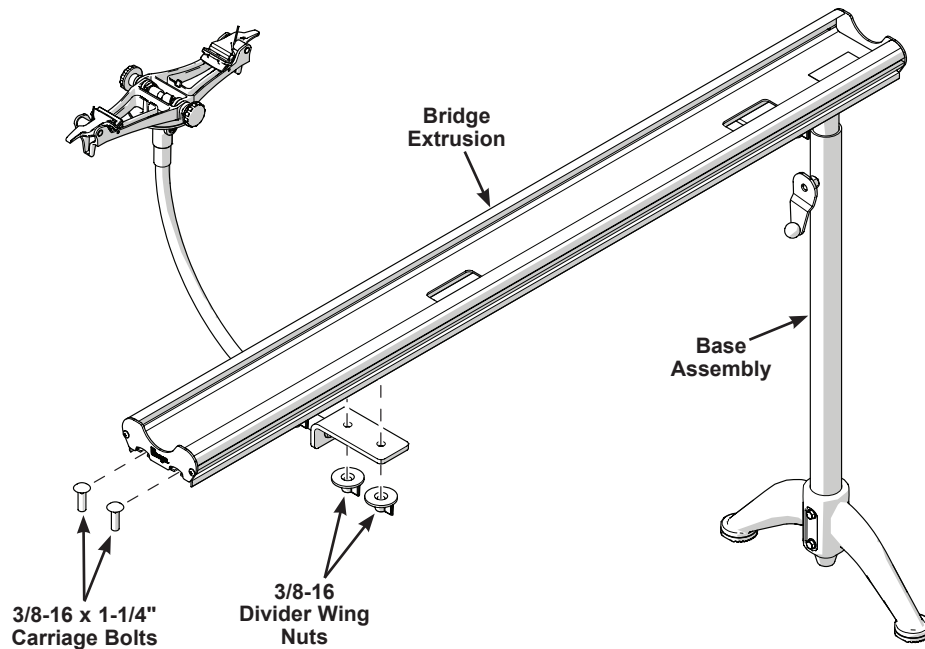
Assembly (continued)

2. Attach the tablet mount to the bridge extrusion as shown.

NOTICE

If the base assemblies have already been attached, one must be removed to attach the tablet mount, it can then be re-attached.

- From the underside of the bridge extrusion, slide the head of one 3/8-16 x 1-1/4" carriage bolt into each channel at end of both slots.
- Slide the two holes in the TechBridge mounting bracket onto the carriage bolts.
- Secure the tablet mount assembly to the bridge extrusion using two 3/8-16 divider wing nuts.

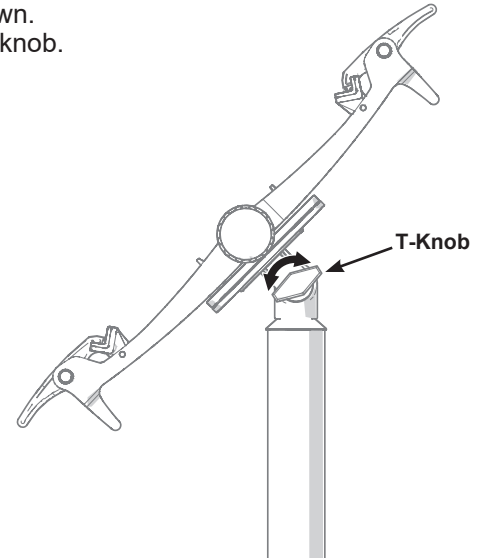


Operation

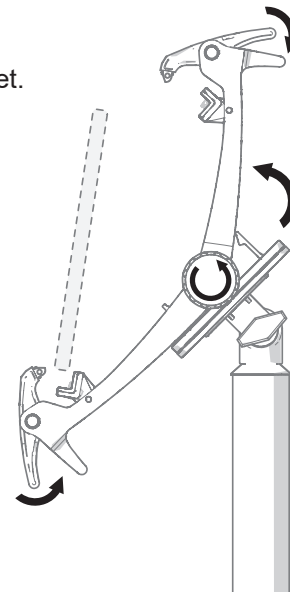
Universal Tablet Mount Adjustment

Use the Tablet Mount with care.

1. Rotate the universal mount so that one arm is up and the other is down.
The rotation tension can be adjusted by loosening or tightening the t-knob.

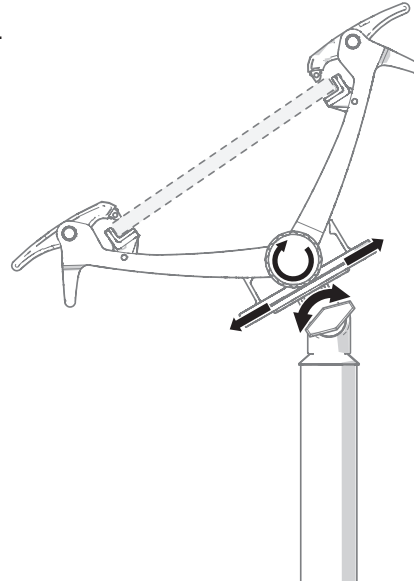


2. Loosen the side knobs to release the adjustable mount arms.
Squeeze open the clamp on the lower arm and insert the tablet.
3. Move the upper arm into place and clamp the other side of the tablet.



Operation (continued)

4. Inspect the insertion to make sure the pivot feet and clamps are firmly contacting the tablet.
Tighten the knobs to secure the installation.
5. Adjust the swivel mount base 360° for optimal viewings.

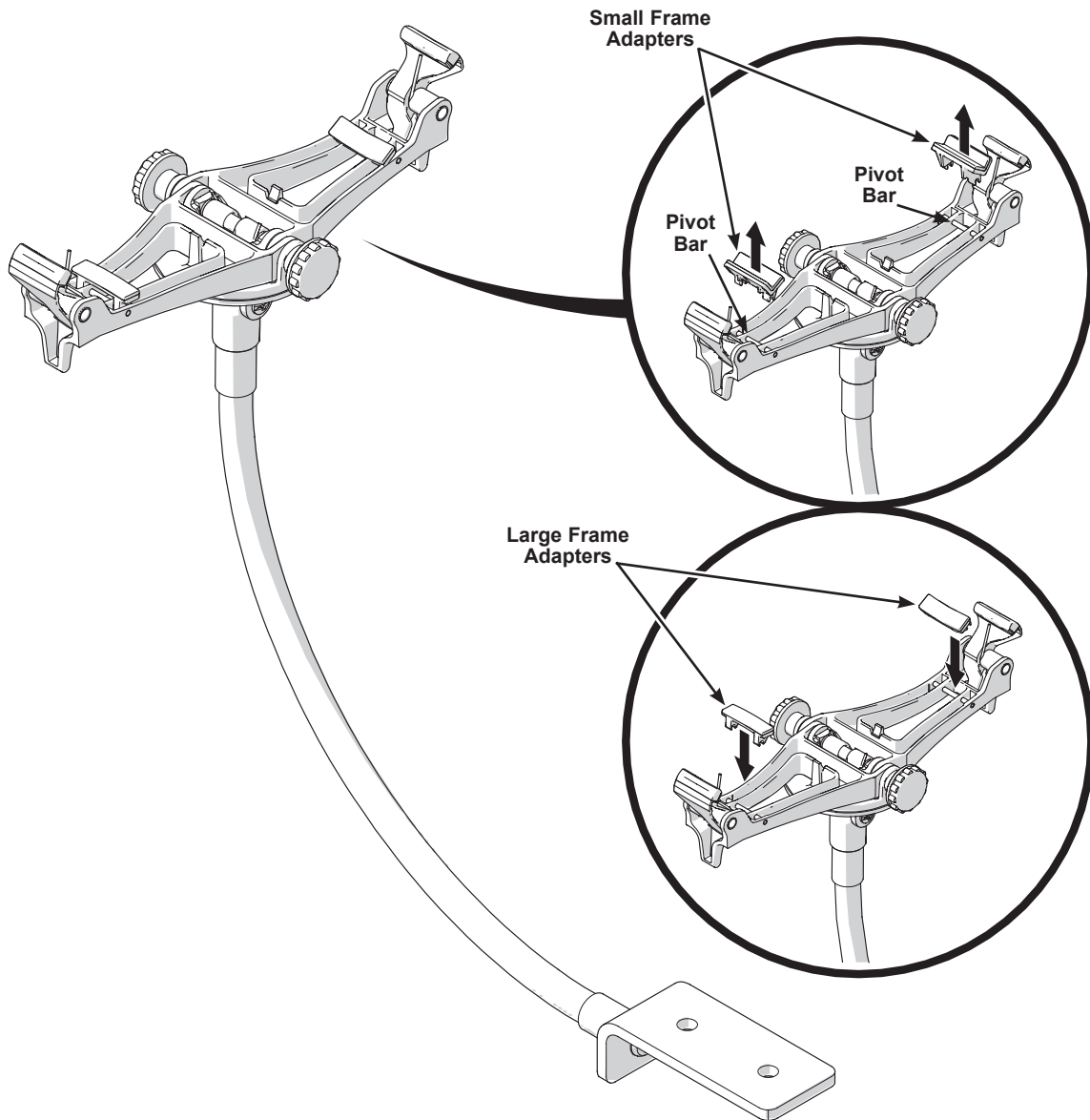


Operation (continued)

Frame Adapters for Larger Tablets

If a tablet is too large to fit in the small frame adapters, replace them with large frame adapters.

1. Remove both small frame adapters using a flat screwdriver to pry them from the pivot bar.
2. Push the large frame adapters onto the pivot bars.



This page is intentionally blank.